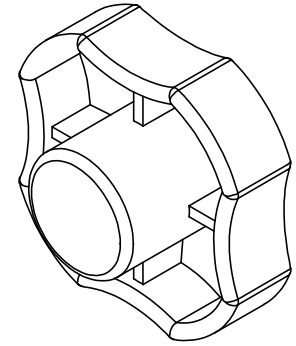
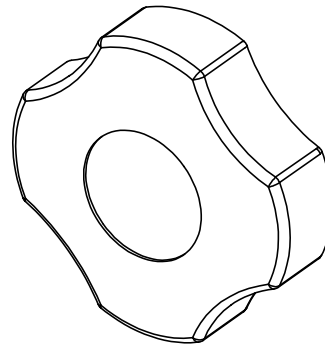
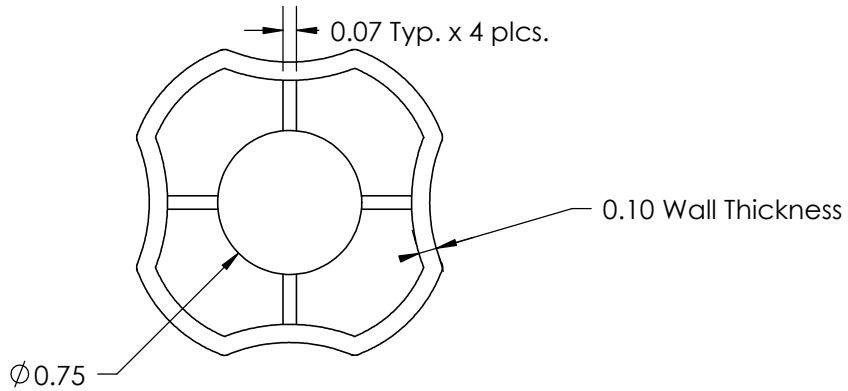


0.07 Typ. x 4 plcs.



REV	BY	DATE	COMMENT	DIMENSIONS ARE IN INCHES TOLERANCES FRACTIONAL ± TWO PLACE DECIMAL ± 0.03 THREE PLACE DECIMAL ± 0.010 UNLESS OTHERWISE NOTED	DRAWN	JMR			
0	JMR	DRAFT	RELEASE DATE		APPROVED			PART NAME	
					DATE		4L5 Master		
					COMMENTS	MIN. TORQUE N/A in.-lbs.			
PROPRIETARY AND CONFIDENTIAL THE INFORMATION CONTAINED IN THIS DRAWING IS THE SOLE PROPERTY OF INNOVATIVE COMPONENTS. ANY REPRODUCTION IN PART OR AS A WHOLE WITHOUT THE WRITTEN PERMISSION OF INNOVATIVE COMPONENTS IS PROHIBITED.					KNOB MATERIAL		PART NUMBER	DRAWING NUMBER	
					KNOB FINISH		INSERT MATERIAL	4L5 Master	
					INSERT PART NUMBER		INSERT FINISH		
					SCALE 1:1		SHEET 1 OF 1		