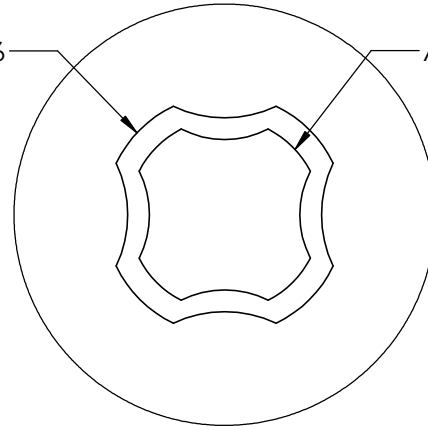
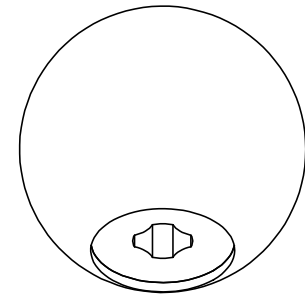
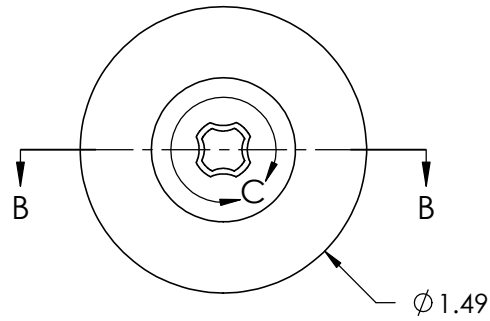
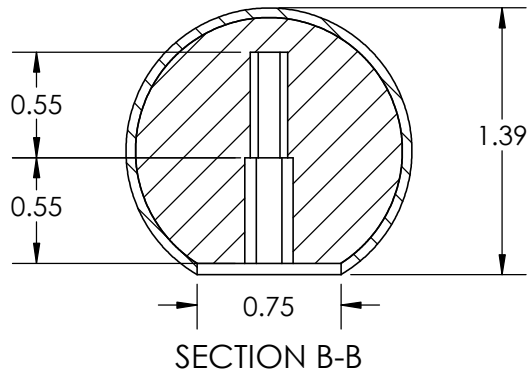



Accepts 5/16

Accepts 1/4



DETAIL C
SCALE 4 : 1



| REV | BY | DATE | COMMENT | DRAWN | LRM |  INNOVATIVE COMPONENTS | |
|---|-----|------|---------|-------------------|-----|--|-----------------|
| 0 | LRM | | | APPROVED | | | PART NAME |
| | | | | DATE | | COMMENTS MIN. TORQUE N/A in.-lbs. | |
| | | | | | | | |
| PROPRIETARY AND CONFIDENTIAL THE INFORMATION CONTAINED IN THIS DRAWING IS THE SOLE PROPERTY OF INNOVATIVE COMPONENTS. ANY REPRODUCTION IN PART OR AS A WHOLE WITHOUT THE WRITTEN PERMISSION OF INNOVATIVE COMPONENTS IS PROHIBITED. | | | | kNOB MATERIAL | | PART NUMBER B4U MASTER | |
| | | | | kNOB FINISH | | | INSERT MATERIAL |
| | | | | INERT PART NUMBER | | INSERT FINISH | SCALE 1:1 |

DIMENSIONS ARE IN INCHES
TOLERANCES
FRACTIONAL ±
TWO PLACE DECIMAL ± 0.03
THREE PLACE DECIMAL ± 0.010
UNLESS OTHERWISE NOTED