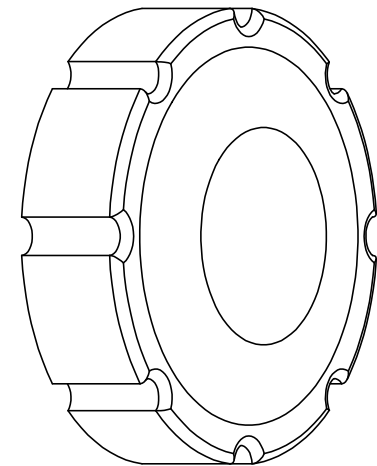
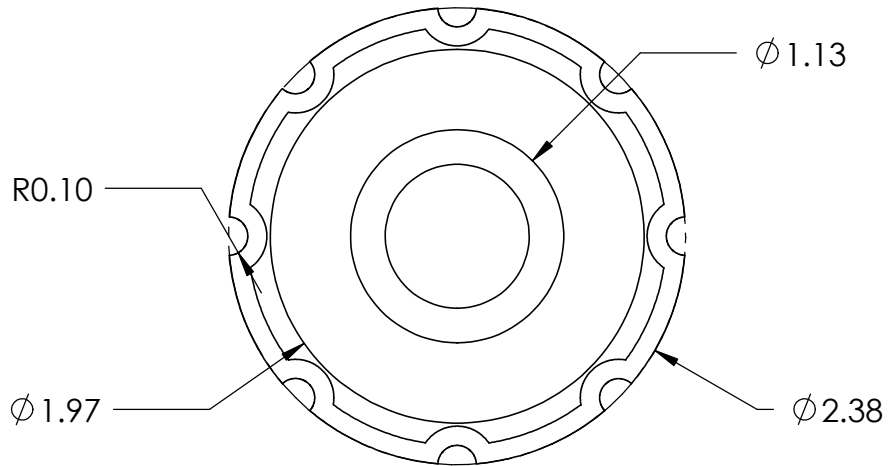
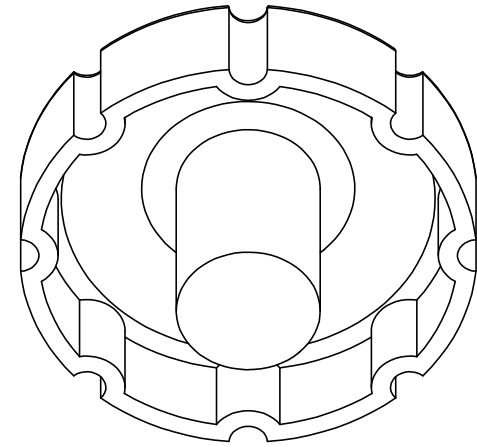
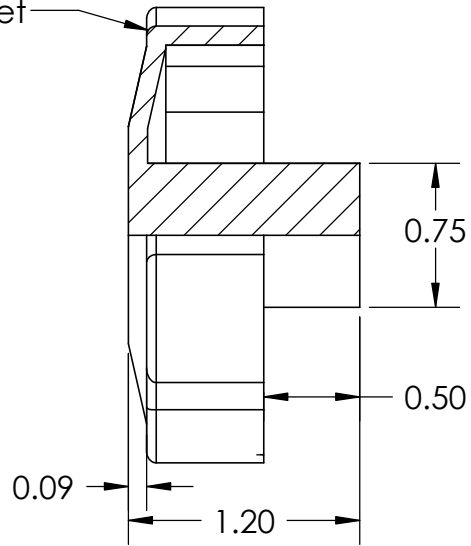


R0.05 Fillet



REV	BY	DATE	COMMENT
0	JMR	DRAFT	RELEASE DATE
PROPRIETARY AND CONFIDENTIAL			
THE INFORMATION CONTAINED IN THIS DRAWING IS THE SOLE PROPERTY OF INNOVATIVE COMPONENTS. ANY REPRODUCTION IN PART OR AS A WHOLE WITHOUT THE WRITTEN PERMISSION OF INNOVATIVE COMPONENTS IS PROHIBITED.			

DIMENSIONS ARE IN INCHES TOLERANCES FRACTIONAL ± TWO PLACE DECIMAL ± 0.03 THREE PLACE DECIMAL ± 0.010 UNLESS OTHERWISE NOTED	KNOB MATERIAL
	KNOB FINISH
	INSERT PART NUMBER

DRAWN	JMR
APPROVED	
DATE	
COMMENTS	MIN. TORQUE N/A in.-lbs.
INSERT MATERIAL	
INSERT FINISH	

INNOVATIVE COMPONENTS	
PART NAME	
PART NUMBER	DRAWING NUMBER
F6H MASTER	F6H
SCALE 1:1	SHEET 1 OF 1