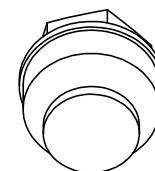
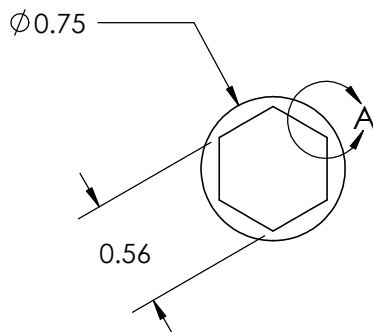


DETAIL A
SCALE 4 : 1



REV	BY	DATE	COMMENT	DRAWN	LRM	INNOVATIVE COMPONENTS	
0	LRM	09/22/08	RELEASE DATE	APPROVED	LQR	PART NAME	
1	LQR	01/26/09	Changed specifications to two place decimal	DATE	01/26/2009	PART NUMBER	
				COMMENTS		DRAWING NUMBER	
				KNOB MATERIAL		HT2 MASTER	
				KNOB FINISH		SCALE 1:1	
				INSERT MATERIAL		SHEET 1 OF 1	
				INSERT PART NUMBER		HT2	
				INSERT FINISH			

PROPRIETARY AND CONFIDENTIAL
THE INFORMATION CONTAINED IN THIS DRAWING IS THE SOLE PROPERTY OF INNOVATIVE COMPONENTS. ANY REPRODUCTION IN PART OR AS A WHOLE WITHOUT THE WRITTEN PERMISSION OF INNOVATIVE COMPONENTS IS PROHIBITED.

DIMENSIONS ARE IN INCHES
TOLERANCES
FRACTIONAL \pm
TWO PLACE DECIMAL \pm 0.03
THREE PLACE DECIMAL \pm 0.010
UNLESS OTHERWISE NOTED



PART NAME

PART NUMBER
HT2 MASTER

DRAWING NUMBER
HT2
SCALE 1:1
SHEET 1 OF 1