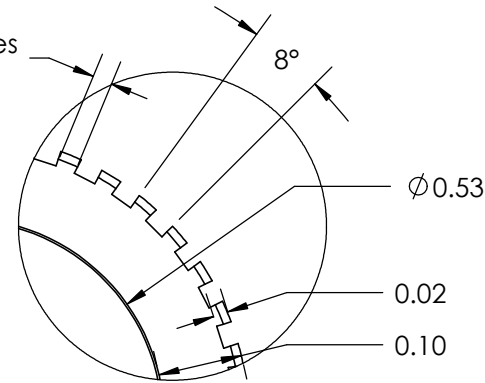
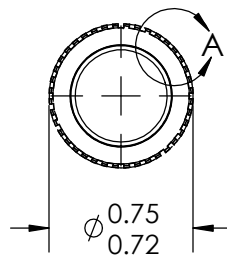
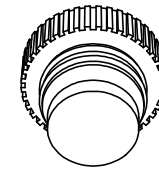


0.03 x 0.03 Grooves
0.06 O.C.



DETAIL A
SCALE 4 : 1



REV	BY	DATE	COMMENT	DRAWN	JMR	INNOVATIVE COMPONENTS			
0	JMR	09/03/08	RELEASE DATE	APPROVED	LQR	PART NAME			
				DATE	09/03/2008	COMMENTS			
<p>PROPRIETARY AND CONFIDENTIAL</p> <p>THE INFORMATION CONTAINED IN THIS DRAWING IS THE SOLE PROPERTY OF INNOVATIVE COMPONENTS. ANY REPRODUCTION IN PART OR AS A WHOLE WITHOUT THE WRITTEN PERMISSION OF INNOVATIVE COMPONENTS IS PROHIBITED.</p>				KNOB MATERIAL		PART NUMBER			
				KNOB FINISH		INSERT MATERIAL		DRAWING NUMBER	
				INSERT PART NUMBER		INSERT FINISH		SCALE 1:1	
						<p>K2A MASTER</p> <p>K2</p>			
						SHEET 1 OF 1			

DIMENSIONS ARE IN INCHES
TOLERANCES
FRACTIONAL ±
TWO PLACE DECIMAL ± 0.03
THREE PLACE DECIMAL ± 0.010
UNLESS OTHERWISE NOTED