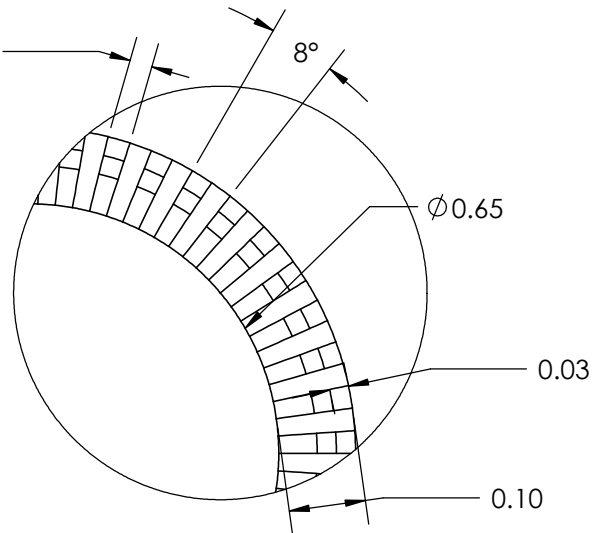
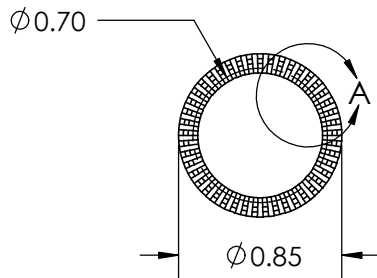
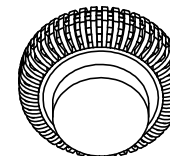


0.03 Typ. 45 ribs
eq. spaced @ 8°



DETAIL A
SCALE 4 : 1



REV	BY	DATE	COMMENT	DRAWN	LRM	INNOVATIVE COMPONENTS	
0	JMR	1/31/08	RELEASE DATE	APPROVED	LQR	PART NAME	
1	LRM	12/17/08	Changed Knurled Profile	DATE	12/17/2008	PART NUMBER	
				COMMENTS		DRAWING NUMBER	
				MIN. TORQUE N/A in.-lbs.		K3 MASTER	
PROPRIETARY AND CONFIDENTIAL THE INFORMATION CONTAINED IN THIS DRAWING IS THE SOLE PROPERTY OF INNOVATIVE COMPONENTS. ANY REPRODUCTION IN PART OR AS A WHOLE WITHOUT THE WRITTEN PERMISSION OF INNOVATIVE COMPONENTS IS PROHIBITED.				KNOB MATERIAL	INSERT MATERIAL	SCALE 1:1	
				KNOB FINISH	INSERT FINISH	SHEET 1 OF 1	
				INSERT PART NUMBER		K3	

DIMENSIONS ARE IN INCHES
TOLERANCES
FRACTIONAL ±
TWO PLACE DECIMAL ± 0.03
THREE PLACE DECIMAL ± 0.010
UNLESS OTHERWISE NOTED

MIN. TORQUE N/A in.-lbs.