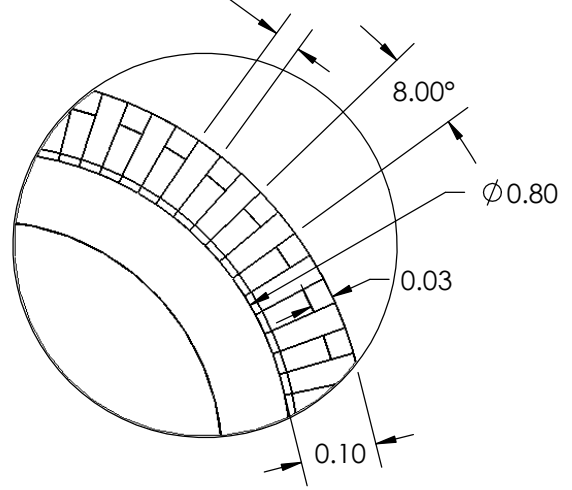
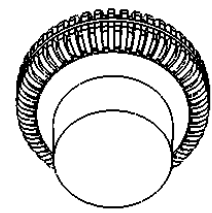
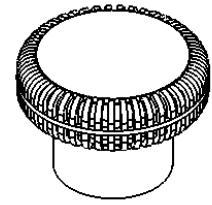
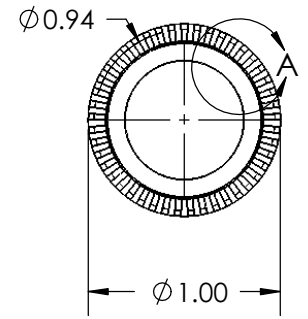


0.035 Typ. 45 Ribs  
Eq. Spaced @ 8°



DETAIL A  
SCALE 4 : 1



REV	BY	DATE	COMMENT	DIMENSIONS ARE IN INCHES TOLERANCES FRACTIONAL ± TWO PLACE DECIMAL ± 0.03 THREE PLACE DECIMAL ± 0.010 UNLESS OTHERWISE NOTED	DRAWN JMR		
0	JMR	DRAFT	RELEASE DATE		APPROVED	PART NAME	
					DATE	COMMENTS MIN. TORQUE N/A in.-lbs.	
<b>PROPRIETARY AND CONFIDENTIAL</b> THE INFORMATION CONTAINED IN THIS DRAWING IS THE SOLE PROPERTY OF INNOVATIVE COMPONENTS. ANY REPRODUCTION IN PART OR AS A WHOLE WITHOUT THE WRITTEN PERMISSION OF INNOVATIVE COMPONENTS IS PROHIBITED.				KNOB MATERIAL	INSERT MATERIAL	PART NUMBER <b>K4C MASTER</b>	
				KNOB FINISH	INSERT FINISH	DRAWING NUMBER <b>K4</b>	
				INSERT PART NUMBER	INSERT FINISH	SCALE 2:1	SHEET 1 OF 1