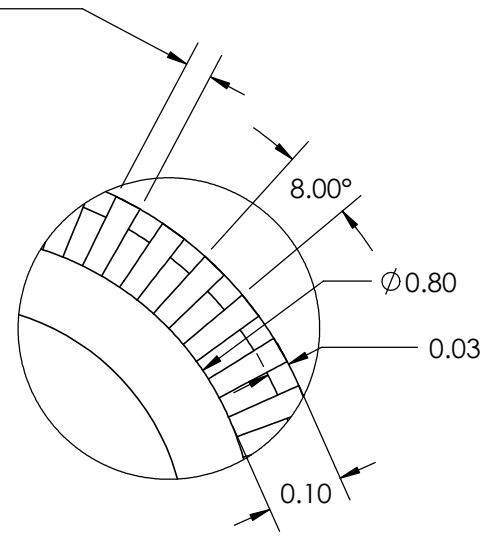
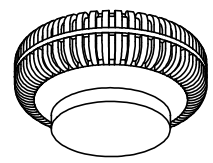
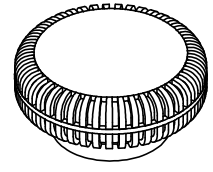
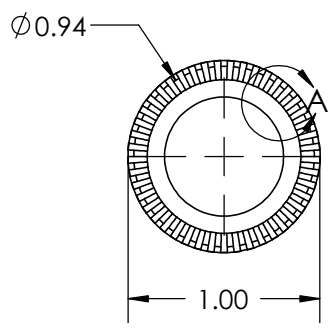


0.035 Typ. 45 ribs
eq. spaced @ 8°



DETAIL A
SCALE 4 : 1



REV	BY	DATE	COMMENT	DRAWN	JMR	INNOVATIVE COMPONENTS	
0	JMR	11/27/07	RELEASE DATE	APPROVED	LQ	PART NAME	
				DATE	11/27/07	MIN. TORQUE N/A in.-lbs.	
				COMMENTS			
				KNOB MATERIAL			
				KNOB FINISH			
				INSERT MATERIAL			
				INSERT PART NUMBER			
				INSERT FINISH			
PROPRIETARY AND CONFIDENTIAL THE INFORMATION CONTAINED IN THIS DRAWING IS THE SOLE PROPERTY OF INNOVATIVE COMPONENTS. ANY REPRODUCTION IN PART OR AS A WHOLE WITHOUT THE WRITTEN PERMISSION OF INNOVATIVE COMPONENTS IS PROHIBITED.				PART NUMBER		DRAWING NUMBER	
				K4D MASTER		K4	
				SCALE 1:1		SHEET 1 OF 1	