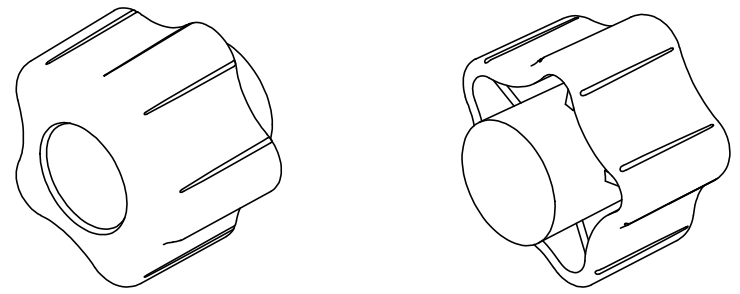
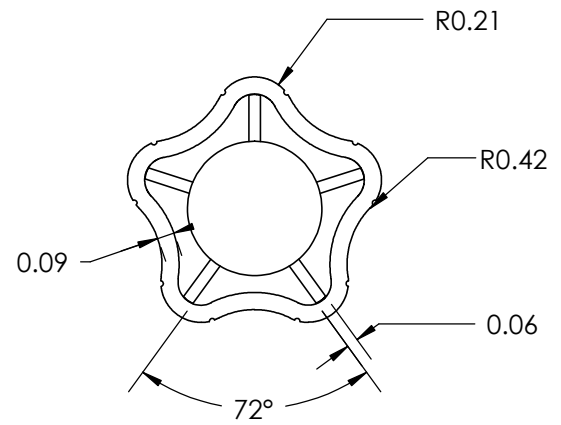


SECTION A-A



REV	BY	DATE	COMMENT	DIMENSIONS ARE IN INCHES TOLERANCES FRACTIONAL ± TWO PLACE DECIMAL ± 0.03 THREE PLACE DECIMAL ± 0.010 UNLESS OTHERWISE NOTED	DRAWN	LRM	INNOVATIVE COMPONENTS		
0	LRM	03/16/08	RELEASE DATE		APPROVED	LQR		PART NAME	
					DATE	03/16/08		COMMENTS MIN. TORQUE N/A in.-lbs.	
					KNOB MATERIAL				PART NUMBER <b>R2 MASTER</b>
					KNOB FINISH				
<b>PROPRIETARY AND CONFIDENTIAL</b> THE INFORMATION CONTAINED IN THIS DRAWING IS THE SOLE PROPERTY OF INNOVATIVE COMPONENTS. ANY REPRODUCTION IN PART OR AS A WHOLE WITHOUT THE WRITTEN PERMISSION OF INNOVATIVE COMPONENTS IS PROHIBITED.					INSERT MATERIAL		SCALE 1:1		
					INSERT PART NUMBER		SHEET 1 OF 1		